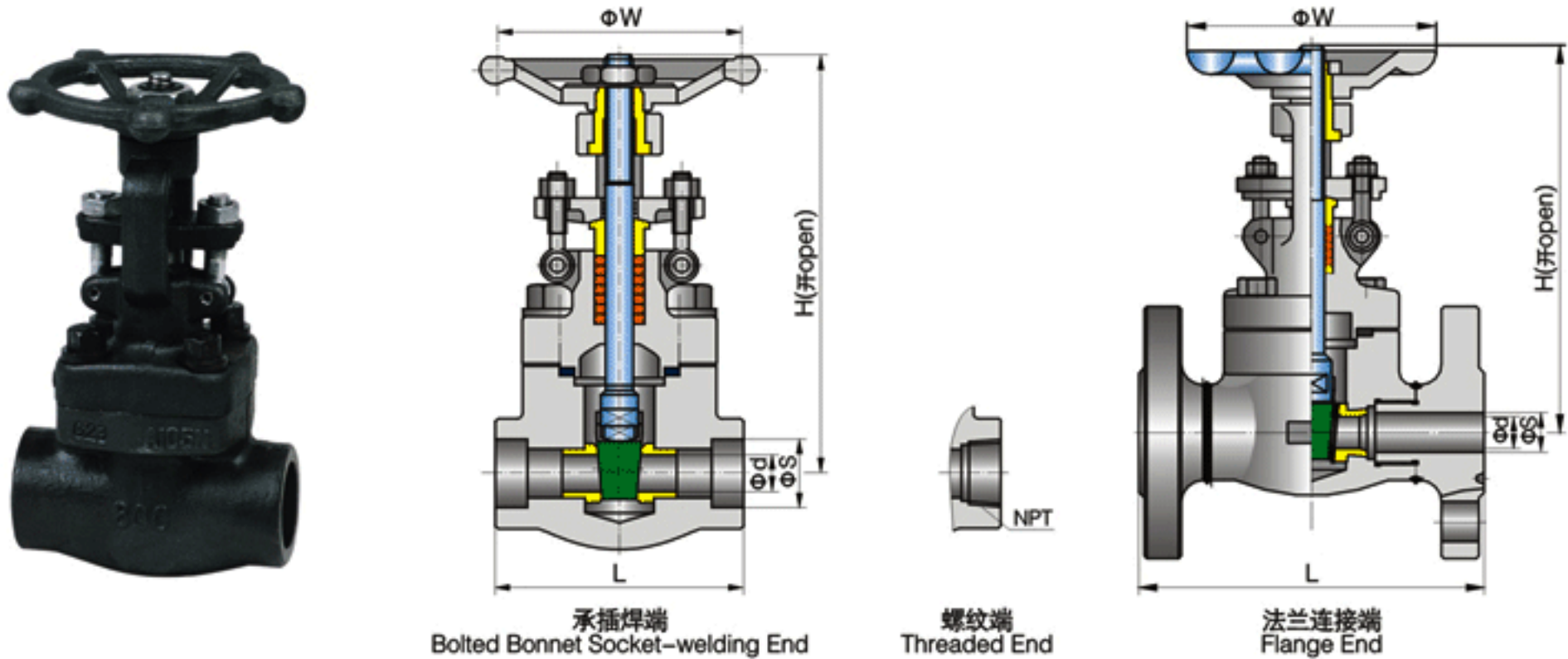


Class150 ~ Class1500



## 标准 Standards

设计和制造 Design and Manufacture: API 602

检验和试验 Inspection and Test: API 598

承插焊尺寸 Socket-weld dimension: ASME B16.11

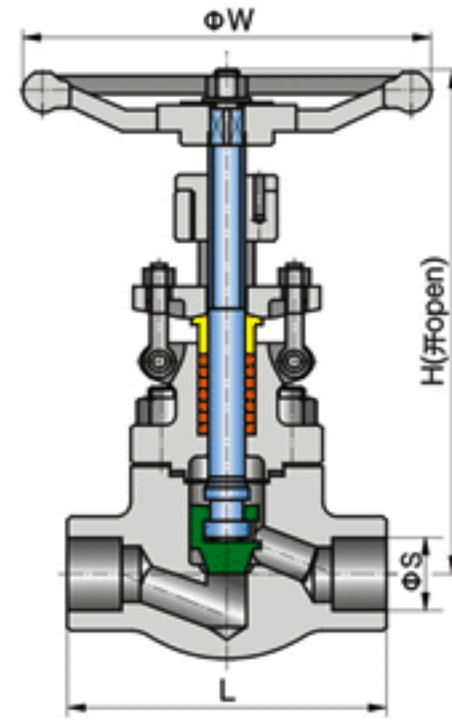
螺纹端尺寸 End threads dimension: ASME B1.20.1.

温压等级 Pressure-temperature ratings: ASME B16.34

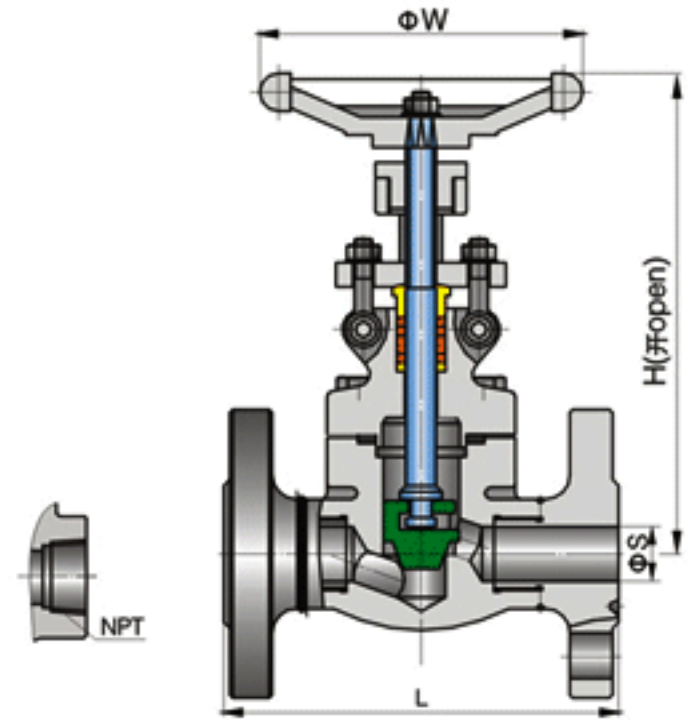
## 主要外形尺寸及重量 Main Outline Dimensions & Weight

磅级 Class	口径 Size		尺寸 Dimensions(mm)						重量 Weight(kg)
	NPS	DN	L	d	S	H	W	NPT	
150 ~ 800	1/2	15	79	9.5	21.8	182	100	1/2	2
	3/4	20	92	12.7	27.1	208	100	3/4	2.5
	1	25	111	17.5	33.8	254	125	1	5
	1 1/4	32	120	23.8	42.6	290	160	1 1/4	6
	1 1/2	40	120	28.6	48.7	330	180	1 1/2	7
	2	50	140	36.5	61.1	372	200	2	11
900	1/2	15	111	9.5	21.8	182	100	1/2	2.5
	3/4	20	111	12.7	27.1	208	100	3/4	4.5
	1	25	120	17.5	33.8	254	125	1	6
	1 1/4	32	120	23.8	42.6	290	160	1 1/4	7
	1 1/2	40	140	28.6	48.7	330	180	1 1/2	11
	2	50	170	36.5	61.1	372	200	2	15
1500	1/2	15	111	9.5	21.8	182	100	1/2	4
	3/4	20	111	12.7	27.1	208	100	3/4	4
	1	25	120	17.5	33.8	254	125	1	7
	1 1/4	32	120	23.8	42.6	290	160	1 1/4	9
	1 1/2	40	140	28.6	48.7	330	180	1 1/2	12
	2	50	162	36.5	61.1	372	200	2	17

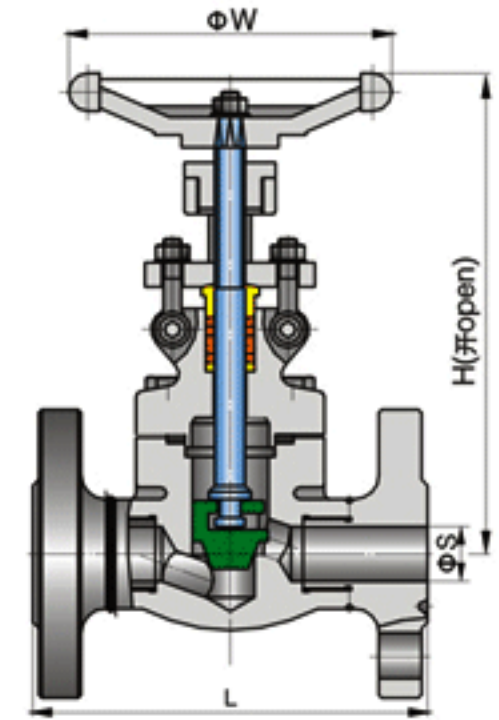
Class150 ~ Class1500



承插焊端  
Bolted Bonnet Socket-welding End



螺纹端  
Threaded End



法兰连接端  
Flange End

### 标准 Standards

设计和制造 Design and manufacture: API 602

检验和试验 Inspection and test: API 598

承插焊尺寸 Socket-weld dimension: ASME B16.11

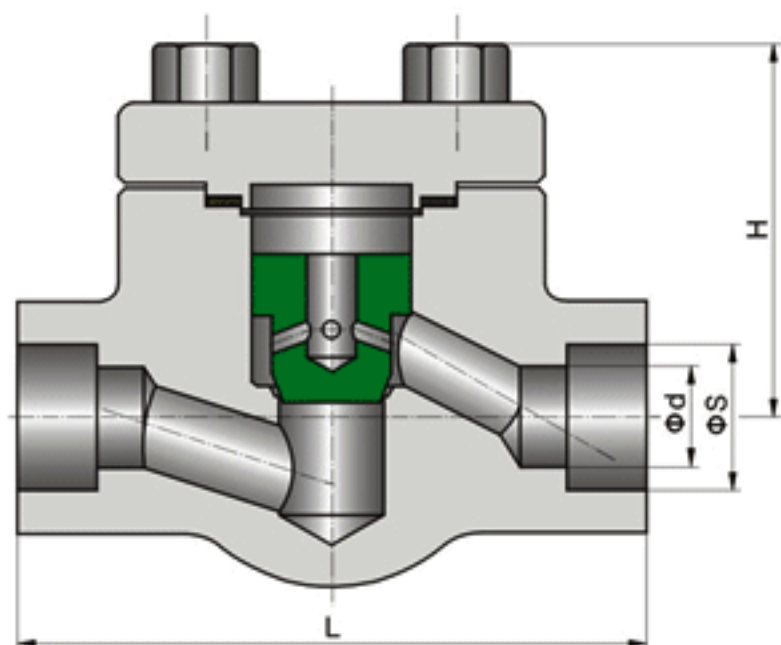
螺纹端尺寸 End threads dimension: ASME B1.20.1.

温压等级 Pressure-temperature ratings: ASME B16.34

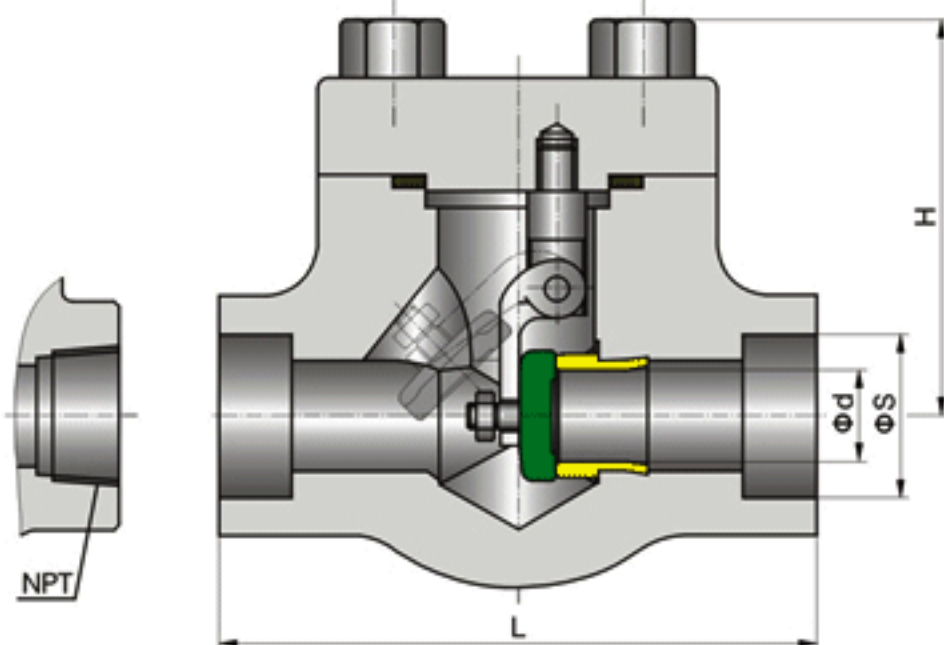
### 主要外形尺寸及重量 Main Outline Dimensions & Weight

磅级 Class	规格 Size		尺寸 Dimensions(mm)						重量 Weight(kg)
	NPS	DN	L	d	S	H	W	NPT	
150 ~ 800	1/2	15	79	9.5	21.8	158	100	1/2	2
	3/4	20	92	12.7	27.1	192	100	3/4	3
	1	25	111	17.5	33.8	252	125	1	4
	1 1/4	32	120	23.8	42.6	252	160	1 1/4	6
	1 1/2	40	152	28.6	48.7	289	180	1 1/2	7
	2	50	172	36.5	61.1	330	200	2	11
900 ~ 1500	1/2	15	111	9.5	21.8	207	100	1/2	2
	3/4	20	111	12.7	27.1	207	100	3/4	3
	1	25	130	17.5	33.8	240	125	1	4
	1 1/4	32	152	23.8	42.6	258	160	1 1/4	6
	1 1/2	40	172	28.6	48.7	290	180	1 1/2	8
	2	50	220	36.5	61.1	337	200	2	13

Class150 ~ Class1500



升降式止回阀 Lift check valve



旋启式止回阀 Swing check valve

### 标准 Standards

设计和制造 Design and manufacture: API 602

检验和试验 Inspection and test: API 598

承插焊尺寸 Socket-weld dimension: ASME B16.11

螺纹端尺寸 End threads dimension: ASME B1.20.1.

温压等级 Pressure-temperature ratings: ASME B16.34

### 主要外形尺寸及重量 Main Outline Dimensions & Weight

Class	规格 Size		升降式止回阀 Lift check valve						旋启式止回阀 Swing check valve					
	NPS	DN	尺寸 Dimensions(mm)					重量 Weight (kg)	尺寸 Dimensions(mm)					重量 Weight (kg)
			L	d	S	H	NPT		L	d	S	H	NPT	
150 ~ 800	1/2	15	79	9.5	21.8	61	1/2	1.2	79	9.5	21.8	61	1/2	1.0
	3/4	20	92	12.7	27.1	61	3/4	1.4	92	12.7	27.1	61	3/4	1.1
	1	25	111	17.5	33.8	78	1	2.3	111	17.5	33.8	78	1	1.9
	1 1/4	32	120	23.8	42.6	84	1 1/4	3.9	120	23.8	42.6	84	1 1/4	3.4
	1 1/2	40	152	28.6	48.7	103	1 1/2	5.6	120	28.6	48.7	101	1 1/2	4.5
	2	50	172	36.5	61.1	118	2	8.9	140	36.5	61.1	120	2	7.3
900	1/2	15	111	9.5	21.8	79	1/2	3.0	111	9.5	21.8	79	1/2	3.0
	3/4	20	111	12.7	27.1	79	3/4	3.4	111	12.7	27.1	79	3/4	3.6
	1	25	130	17.5	33.8	97	1	4.8	120	17.5	33.8	97	1	4.3
	1 1/4	32	152	23.8	42.6	104	1 1/4	6.9	140	23.8	42.6	105	1 1/4	6.1
	1 1/2	40	172	28.6	48.7	120	1 1/2	10.7	140	28.6	48.7	120	1 1/2	8.8
	2	50	220	36.5	61.1	139	2	14.6	162	36.5	61.1	140	2	12.6
1500	1/2	15	111	9.5	21.8	79	1/2	3.0	111	9.5	21.8	79	1/2	3.0
	3/4	20	111	12.7	27.1	79	3/4	3.4	111	12.7	27.1	79	3/4	3.6
	1	25	130	17.5	33.8	97	1	4.8	120	17.5	33.8	97	1	4.3
	1 1/4	32	152	23.8	42.6	104	1 1/4	6.9	140	23.8	42.6	105	1 1/4	6.1
	1 1/2	40	172	28.6	48.7	120	1 1/2	10.7	140	28.6	48.7	120	1 1/2	8.8
	2	50	220	36.5	61.1	139	2	14.6	162	36.5	61.1	140	2	12.6